

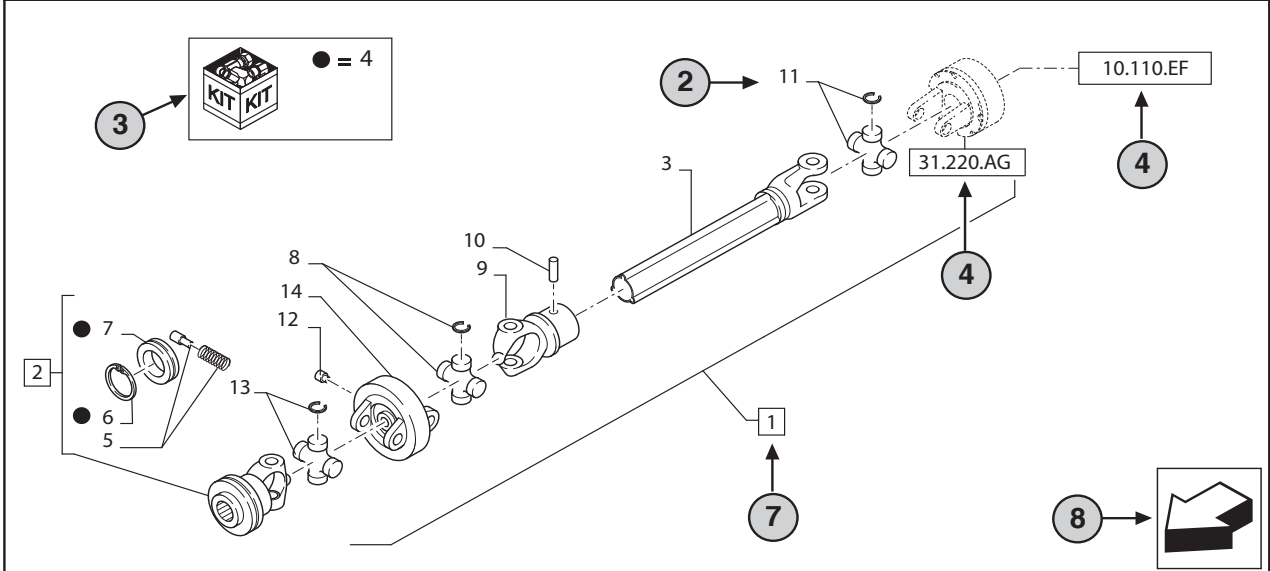
All rights reserved by **CNHi**.

The information contained in this catalogue is intended to be of a general nature only. **CNHi** may at any time and from time to time, for technical or other necessary reasons, modify any of the details or specifications of the product described in this catalogue.

To be sure of getting accurate, detailed and up-to-date information, an intending buyer should consult his nearest **CNHi** dealer or distributor.

Single item numeration method used in this catalogue may not be used without written consent from **CNHi**.

VAR - 123782, 789101,987654 - PTO - D650




**STANDARD** ← 6

VAR - 123782, 789101,987654 - PTO - D650

11      12      13      14

REF	FN	PART NUMBER	YR/SN	QTY	DESCRIPTION
1	1	86529340	↑ 20	1	SHAFT PTO, Incl 2 - 11
2	15	84014007		1	YOKE, Incl 4 - 7 ← 7
3	16	NSS		1	NOT SERVICED SEPARATELY, SHAFT, 350mm, Incl in 1
4		84004292		1	KIT, Seal Kit, Incl 6, 7 ↑ 17
4		{84058743}		1	KIT, Seal Kit, Incl 6, 7
2	18		↑ 21		
	19		↑ 22		
		1 = FOR ITALY ONLY	← 5		

**MODELS** ← 1

- 1 Model Number and Model Description
- 2 Reference - Figure call-out of the part number.
- 3 Parts supplied in repair kits per symbol reference.
- 4 31.220.AD Part illustrated on the **Page** or in the **Figure** indicated, or calls for **Variations** or **Details**. Indicates components shown in detail elsewhere in the catalogue under the figure number shown.
- 5 Footnote references
- 6 Figure notes
- 7 1 2 Includes item(s) ..... (See Description within partlist).
- 8 Orientation. (Arrow indicates front of the machine). 
- 9 Figure description.
- 10 General information of the figure.
- 11 Figure title number that aligns with the SRT. Standard Repair Time.
- 12 **Sequence** code within the assembly.
- 13 Page number within the sequence code.
- 14 **Date** of printing or updating of page (month-year).
- 15 **Note** - Relating to the Part Number. There is a key to symbols and abbreviations at the bottom of the text page.
- 16 Non-serviced parts.
- 17 Further description of the part to help confirm identification.
- 18 Not available as service part.
- 19 Part Number.
- 20 To be defined.
- 21 Total **Quantity** of the Part referred to in the page.  
The quantity can be replaced by the following indications:  
**AR** = quantity as requested.
- 22 Part **Description**.
- 23 Variant Codes

---

## TABLE OF CONTENTS

---

05.100.03		CAPACITIES, TT45A
05.100.03		FILTERS, TT45A
05.100.03	01	CAPACITIES, TT50A
05.100.03	01	FILTERS, TT50A
0.02.1	01	ENGINE ASSEMBLY
0.02.1	02	ENGINE ASSEMBLY
0.04.0		CYLINDER BLOCK
0.05.0		CYLINDER HEAD
0.06.0		HEAD COVER
0.07.0		ROCKER ARM
0.08.0		CRANKSHAFT & PISTONS
0.10.0		BALANCER
0.12.0		CAMSHAFT
0.14.0	01	FUEL INJECTION PUMP & LINES
0.14.0	02	FUEL INJECTION PUMP ASSEMBLY
0.14.0	03	FUEL INJECTOR
0.20.0		FUEL FILTER
0.21.0		KIT FUEL FILTER O-RING
0.30.0	01	TIMING GEAR CASE
0.30.0	02	OIL PUMP, WATER PUMP
0.36.0		STARTING MOTOR
0.40.0		ALTERNATOR ASSEMBLY
0.04.3	01	FLYWHEEL ASSEMBLY
0.04.3	02	FLYWHEEL ASSEMBLY
0.34.7		FAN ASSEMBLY
1.10.0		THROTTLE CONTROL AND LINKAGE
1.14.0		FUEL TANK AND MOUNTING
1.14.6		FUEL PIPING
1.15.0		SILENCER ASSEMBLY
1.17.0		RADIATOR ASSEMBLY
1.17.2		RADIATOR PIPING
1.19.4		AIR CLEANER
1.19.7		AIR CLEANER PIPING
1.21.0	01	REAR AXLE HOUSING

---

## TABLE OF CONTENTS

---

1.21.0	02	MASTER CLUTCH HOUSING
1.25.0		CLUTCH ASSEMBLY
1.26.0	01	CLUTCH PEDAL AND LINKAGE
1.26.0	02	PTO CLUTCH LINKAGE
1.28.1	01	TRANSMISSION GEAR AND SHAFT (PRIMARY)
1.28.1	02	TRANSMISSION GEAR AND SHAFT (SECONDARY)
1.28.1	03	TRANSMISSION GEAR AND SHAFT (REVERSE GEAR)
1.28.1	04	REDUCTION GEARS
1.29.0		GEAR SELECTOR FORKS
1.29.1		GEAR SHIFT ASSEMBLY
1.32.2		HI-LOW AND REVERSE SELECTOR FORKS
1.80.1		PTO TRANSMISSION
1.98.6		PTO CLUTCH CONTROL
1.21.1		FRONT AXLE SUPPORT
1.58.0		FRONT AXLE
1.58.2		SPINDLE AND HUB ASSEMBLY
1.63.0		STEERING CONTROL CYLINDER - BREAKDOWN
1.63.4		STEERING LINKAGE AND ARMS
1.63.5		STEERING CYLINDER AND HOSES
1.63.8	01	STEERING PIPING
1.63.8	02	STEERING RESERVOIR (HYDROSTATIC)
1.32.4		DIFFERENTIAL ASSEMBLY
1.32.6		DIFFERENTIAL LOCK AND PTO CONTROL
1.48.1		FINAL DRIVE HOUSING AND WHEEL HUB
1.65.3		BRAKE MECHANISM
1.89.4		SWINGING DRAWING ASSY
1.74.1		BATTERY MOUNTING
1.75.0	01	WIRING HARNESS
1.75.0	02	FRONT LIGHTS
1.75.1		ELECTRICAL SWITCHES AND RELAYS
1.82.0		LIFT HOUSING ASSEMBLY
1.82.3		HYDRAULIC LIFT CIRCUIT
1.82.4		HYDRAULIC DISTRIBUTOR
1.82.5	01	HYDRAULIC LIFT - INTERNAL LEVER ASSEMBLY

---

## TABLE OF CONTENTS

---

1.82.5	02	HYDRAULIC LIFT OPERATING LEVERS
1.82.6		HYDRAULIC LIFT CYLINDER AND ARMS
1.82.7		SELF-CENTERING VALVE & SELF-CENTERING VALVE WITH FLOAT
1.83.0	01	FRONT HOOD ASSEMBLY
1.83.0	02	REAR HOOD ASSEMBLY
1.87.0		FENDER AND FOOTBOARDS
1.82.8		DRAFT SENSING UNIT
1.89.3		SWINGING DRAWBAR
1.89.6	01	LIFT ROD AND LOWER LINKS
1.89.6	02	TOP LINK ASSEMBLY
1.63.1		HYDROSTATIC STEERING
1.67.1		BRAKE AND CLUTCH PEDALS
1.85.0		DRIVER SEAT BRACKET
1.87.1		ROPS
1.90.5		TOOL BOX
1.92.85		SEAT
81.00		FRONT WHEELS
83.00		REAR WHEELS
1.98.2	01	DECALS - MODEL IDENTIFICATION
1.98.2	02	DECALS - MODEL IDENTIFICATION
1.98.2	03	DECALS - OPERATING INSTRUCTIONS
47136710		TOOL BOX
710072006		HORN KIT
710225290		FRONT WEIGHT CARRIER ( 60 KG.)
710226420		SIX FRONT WEIGHTS PACK (40 KG.)
710471006		REAR BALLAST
710902096		TELESCOPIC ARMS
715655026		BALLAST BOX ASSEMBLY
718857096		CANOPY
719934046		REAR REMOTE HYDRAULIC VALVE #1 POSITION COMPLETING KIT - 719934046
719936046		REAR REMOTE HYDRAULIC VALVE #2 POSITION COMPLETING KIT - 719936046
86590117		BLOCK HEATER KIT
F0NNC830A		DRAWBAR KIT
SP1229985D		WORKLIGHTS



---

## SECTION INDEX

### GENERAL

---

05.100.03		CAPACITIES, TT45A
05.100.03		FILTERS, TT45A
05.100.03	01	CAPACITIES, TT50A
05.100.03	01	FILTERS, TT50A

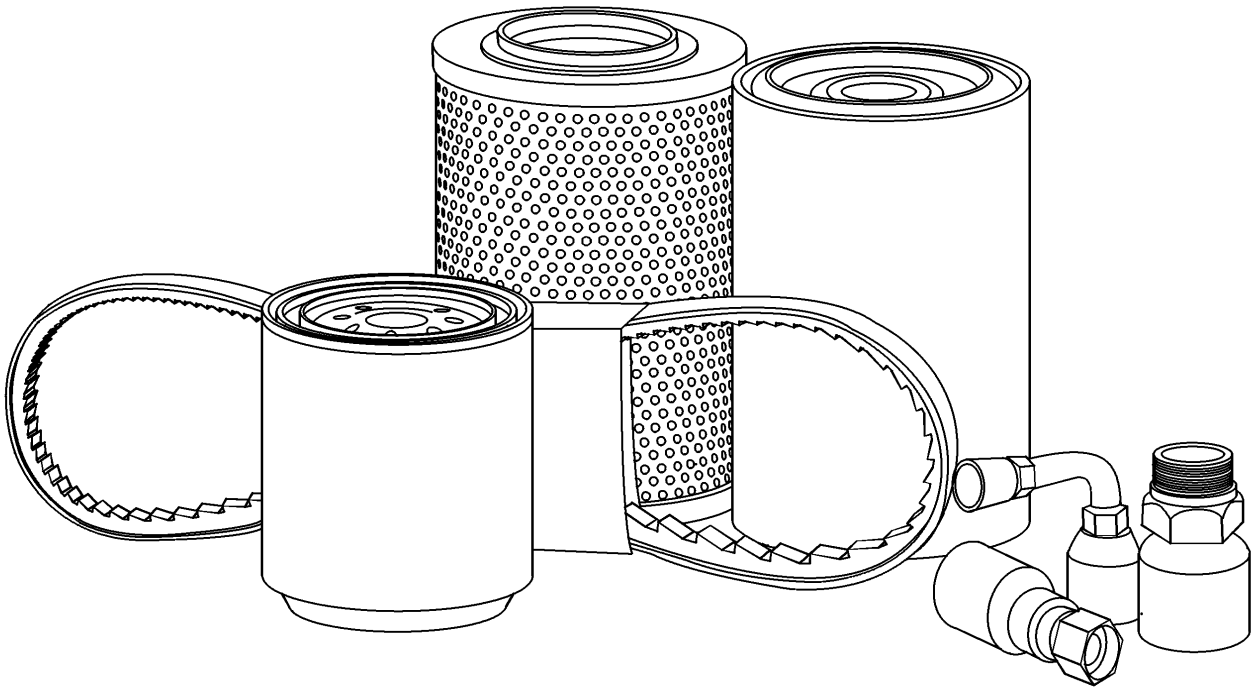


05.100.03

p1

8/2018

CAPACITIES, TT45A

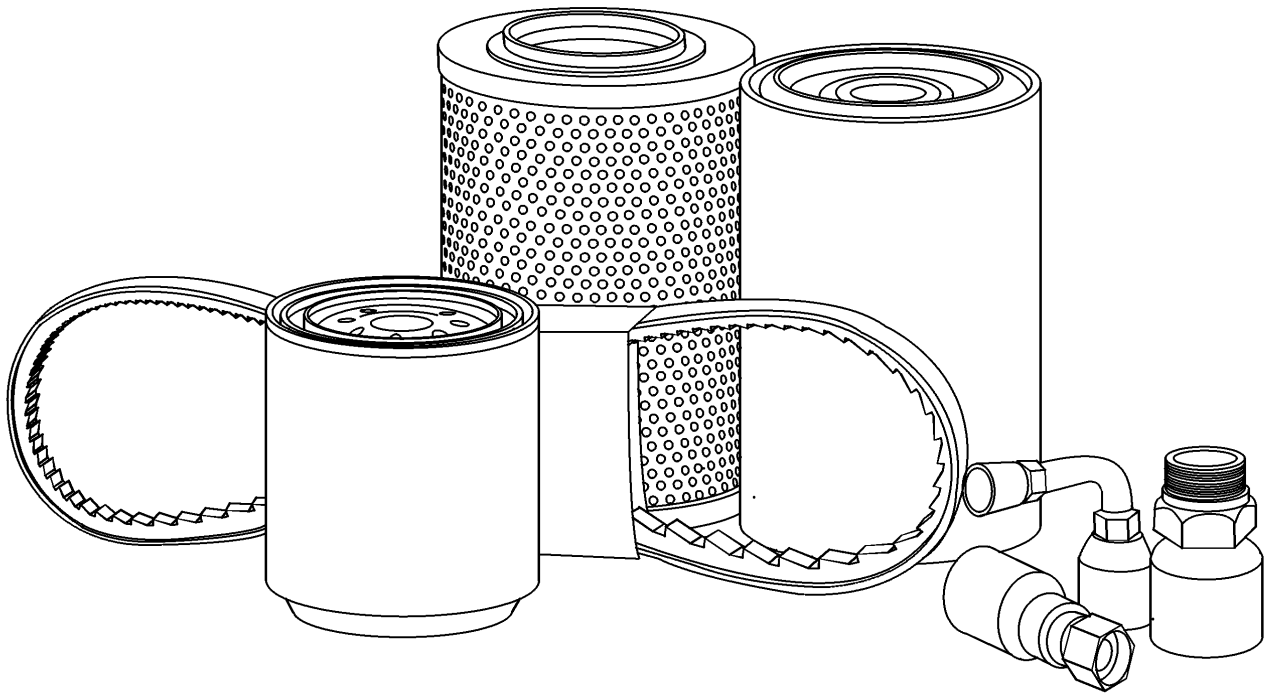


CAPACITIES, TT45A

REF FN	PART NUMBER	YR/SN	QTY DESCRIPTION
*	CNH XHD COOLANT		ANTIFREEZE Radiator And Coolant, 2.71 Gal
*	M-GOLD SAE10W30		OIL Engine, 1.58 Gal
*	MULTI G 134		OIL Hydraulics, 5.14 Gal
*	MULTI G 134		OIL Transmission, 5.14 Gal
*	HYPOLIDE 80W90L		OIL Final Drive, 2.6-QT
*	MULTI G 134		OIL Steering, 0.52 Gal
*	ZRG012WGC		GREASE Chassis Lube, Nlgi #2 White Lithium, As Required

TT45A-4 CYL TRACTOR

FILTERS, TT45A



Verified by Parts Engineering ✓

**FILTERS, TT45A**

<b>REF FN</b>	<b>PART NUMBER</b>	<b>YR/SN</b>	<b>QTY DESCRIPTION</b>
1	84475542		1 ENGINE OIL FILTER Spin on
2	87682994		1 AIR FILTER Primary
3	87682991		1 AIR FILTER 11.74" L Secondary
4	87391715		1 HYDRAULIC OIL FILTER Spin on
5	84477366		1 ELEMENT Fuel

**TT45A-4 CYL TRACTOR**

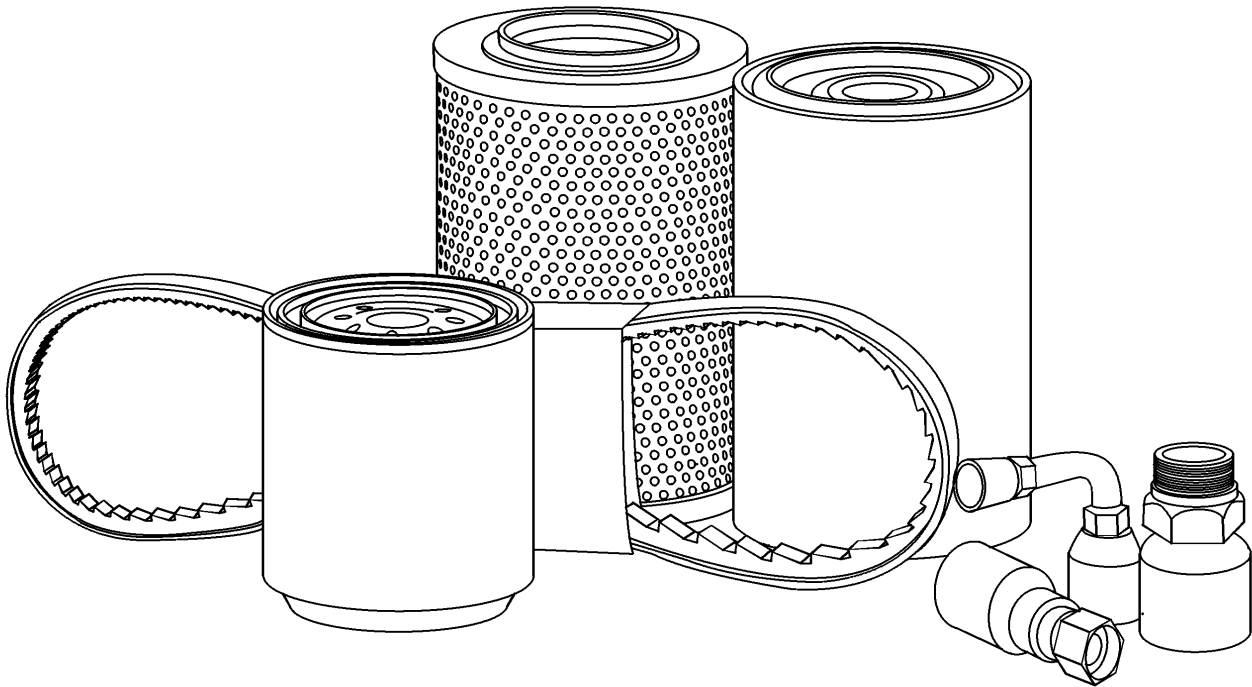
05.100.03

01

p1

8/2018

CAPACITIES, TT50A



**05.100.03**

01

p1

8/2018

**CAPACITIES, TT50A**

<b>REF FN</b>	<b>PART NUMBER</b>	<b>YR/SN</b>	<b>QTY DESCRIPTION</b>
*	CNH XHD COOLANT		ANTIFREEZE Radiator And Coolant, 2.71 Gal
*	M-GOLD SAE10W30		OIL Engine, 1.84 Gal
*	MULTI G 134		OIL Hydraulics, 5.14 Gal
*	MULTI G 134		OIL Transmission, 5.14 Gal
*	HYPOLIDE 80W90L		OIL Final Drive, 2.6 Qts
*	MULTI G 134		OIL Steering, 0.52 Gal
*	ZRG012WGC		GREASE Chassis Lube, Nlgi #2 White Lithium, As Required

**TT50A-4 CYL TRACTOR**

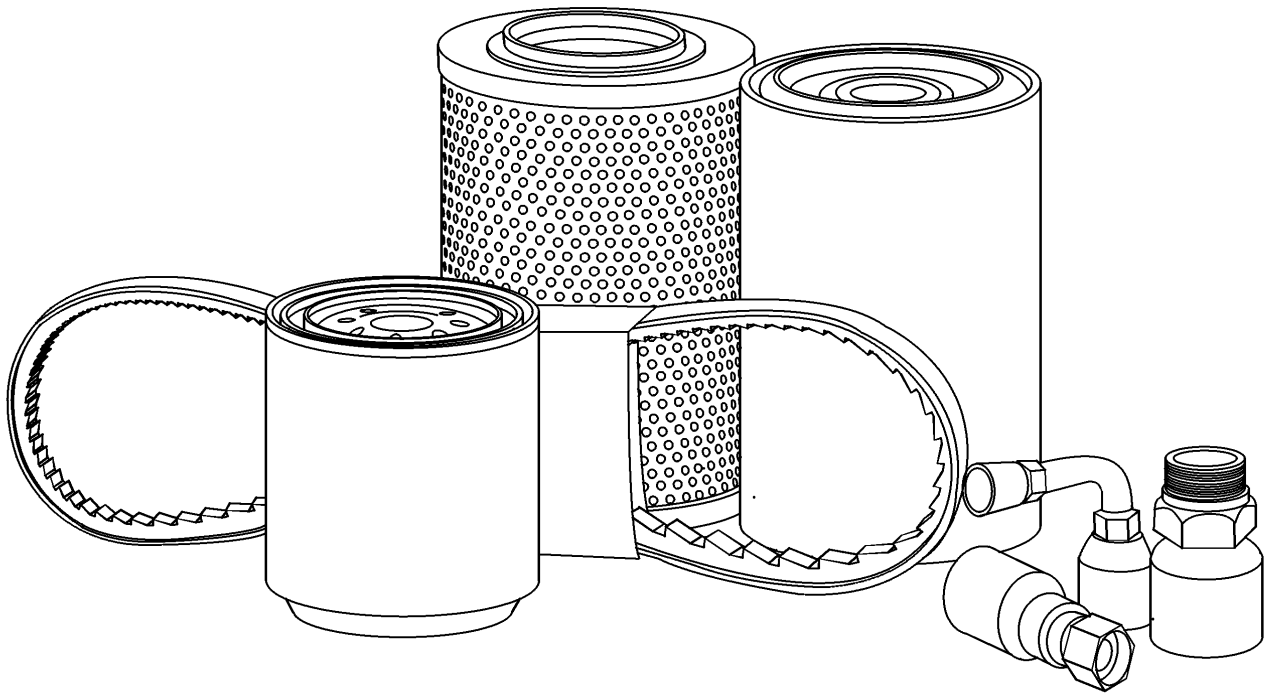
05.100.03

01

p1

8/2018

FILTERS, TT50A



Verified by Parts Engineering



**05.100.03**

01

p1

8/2018

**FILTERS, TT50A**

<b>REF FN</b>	<b>PART NUMBER</b>	<b>YR/SN</b>	<b>QTY DESCRIPTION</b>
1	84475542		1 ENGINE OIL FILTER
2	87682994		1 AIR FILTER Primary
3	87682991		1 AIR FILTER 11.74" L Secondary
4	87391715		1 HYDRAULIC OIL FILTER Spin on
5	84477366		1 ELEMENT Fuel

**TT50A-4 CYL TRACTOR**



---

## SECTION INDEX

### ENGINE

---

0.02.1	01	ENGINE ASSEMBLY
0.02.1	02	ENGINE ASSEMBLY
0.04.0		CYLINDER BLOCK
0.05.0		CYLINDER HEAD
0.06.0		HEAD COVER
0.07.0		ROCKER ARM
0.08.0		CRANKSHAFT & PISTONS
0.10.0		BALANCER
0.12.0		CAMSHAFT
0.14.0	01	FUEL INJECTION PUMP & LINES
0.14.0	02	FUEL INJECTION PUMP ASSEMBLY
0.14.0	03	FUEL INJECTOR
0.20.0		FUEL FILTER
0.21.0		KIT FUEL FILTER O-RING
0.30.0	01	TIMING GEAR CASE
0.30.0	02	OIL PUMP, WATER PUMP
0.36.0		STARTING MOTOR
0.40.0		ALTERNATOR ASSEMBLY



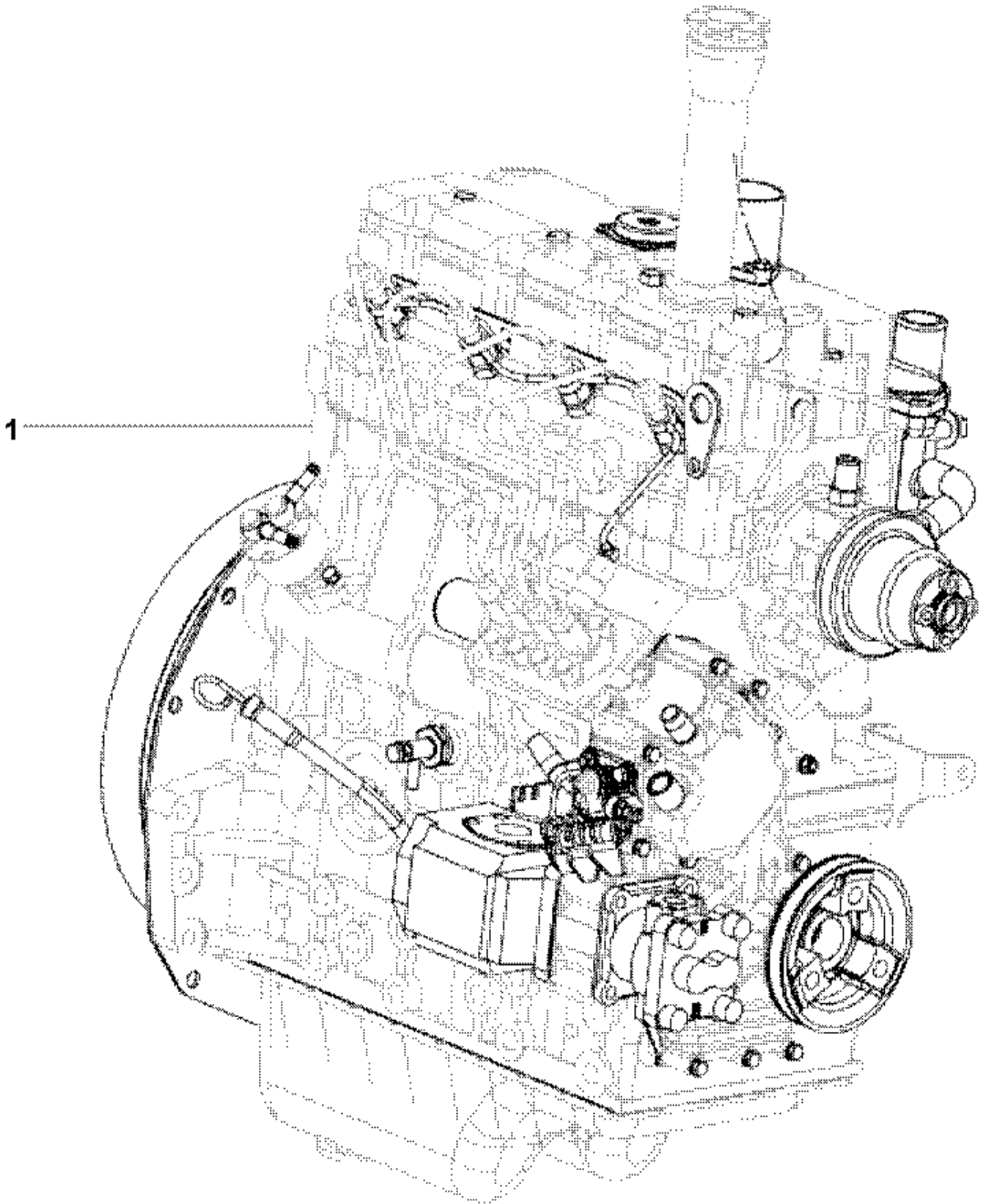
0.02.1

01

p1

8/2018

ENGINE ASSEMBLY



**Thanks very much for your reading,  
Want to get more information,  
Please click here, Then get the complete  
manual**

**JustClickHere** 

**NOTE:**

**If there is no response to click on the link above,  
please download the PDF document first, and then  
click on it.**

**Have any questions please write to me:  
[admin@servicemanualperfect.com](mailto:admin@servicemanualperfect.com)**